

ENMARES
ENGINEERING MAINTENANCE REPAIR SOLUTIONS

ENMARES Aviation Marine and Defense Incorporate

Mobile High Capacity HYDRAULIC POWER UNITS



ENM-HTR Series

for civil and military purposes

www.enmares.com

Mobile Hydraulic Power Units Test Stands



	Product Features (10 gpm)	
Model No	ENM-HTR-3000	ENM-HTR-5000
Product Type	Variable Flow Rate, Pressurized Hydraulic Test Stand	Variable Flow Rate, Pressurized Hydraulic Test Stand
Main Dimensions (L x W x H) (mm)	2140 x 1520 x 1539	2880 x 1728 x 1539
Hydraulic Fluid Compatibility	MIL-PRF-83282D / MIL-PRF-6083 or Equivalent	MIL-PRF-83282D / MIL-PRF-6083 or Equivalent
Flow Rate and Pressure Adjustment	Pressurized Continuous Fluid Supply with Variable Flow Rate	Pressurized Continuous Fluid Supply with Variable Flow Rate
Closed Circuit Run for Pressure and Flow Rate Presetting	Available	Available
Reservoir Volume	120 lt	240 lt
Flow Capacity	10 GPM @3000 psi / 5 GPM @5000 psi	10 GPM @3000 psi / 5 GPM @5000 psi
Number of Pressurized Outputs	Dual	Dual
Filtration	3 µ / Integrated Replaceable High Pressure Filter	3 µ / Integrated Replaceable High Pressure Filter
NAS 1638 Filtration Class	3	3
Power Supply	220/380/440 VAC and 50 Hz / 60 Hz options	220/380/440 VAC and 50 Hz / 60 Hz options
Pump Motor Power	18,5 kW @1000 rpm	18,5 kW @1000 rpm
Digital Flowmeter	Available (Metric / US Units Options)	Available (Metric / US Units Options)
Main Panel LED Illumination	Available	Available
Cable Length	15 mt	30 mt
Integrated Cable Drum	Not-Available	Available
Wheeltrain	Air Inflated Tires, Linked Axle Steering System with Foldable Suspension Tow Bar	Air Inflated Tires, Linked Axle Steering System with Foldable Suspension Tow Bar
Tire Type and Diameter	Semi-Pneumatic Rubber Tires / ø200 mm	Semi-Pneumatic Rubber Tires / ø200 mm
Hand Brake	Available	Available
Main Panel Protection Cover with Locking	Available (Steel, Hinged Hood Type)	Available (Steel, Hinged Hood Type)
Surface Finish	Marine Quality Electrostatic Paint	Marine Quality Electrostatic Paint
Fasteners	A2 Grade Stainless Steel	A2 Grade Stainless Steel
Certification	CE	CE



Mobile Hydraulic Power Units Test Stands



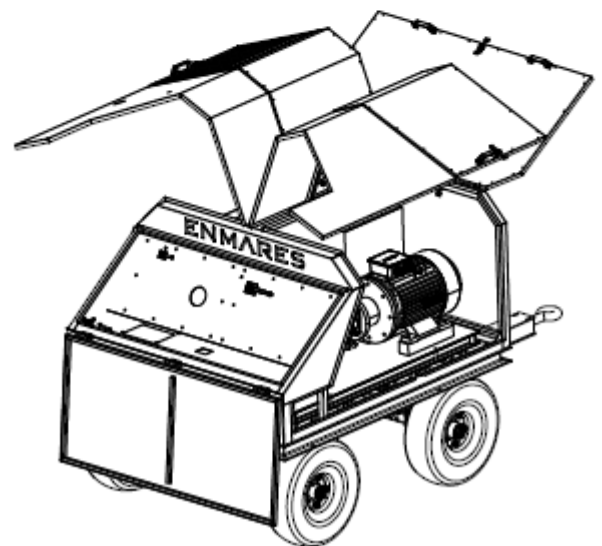
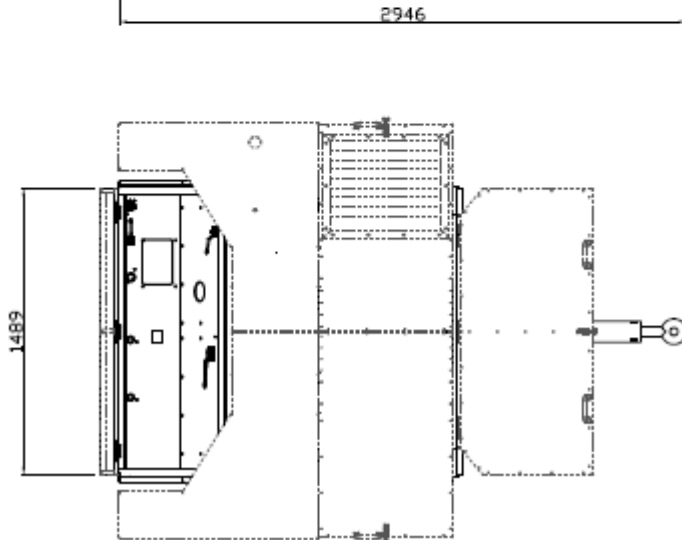
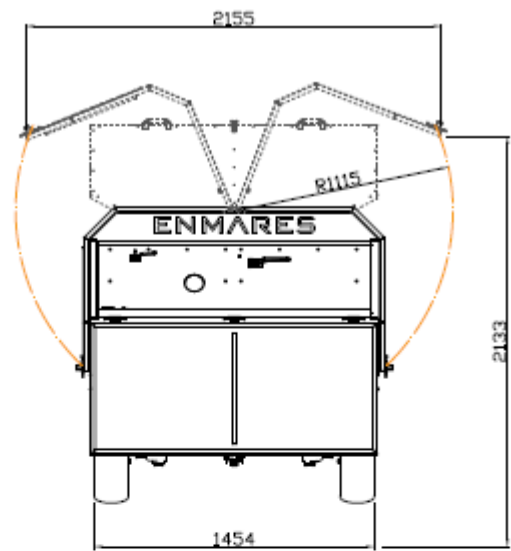
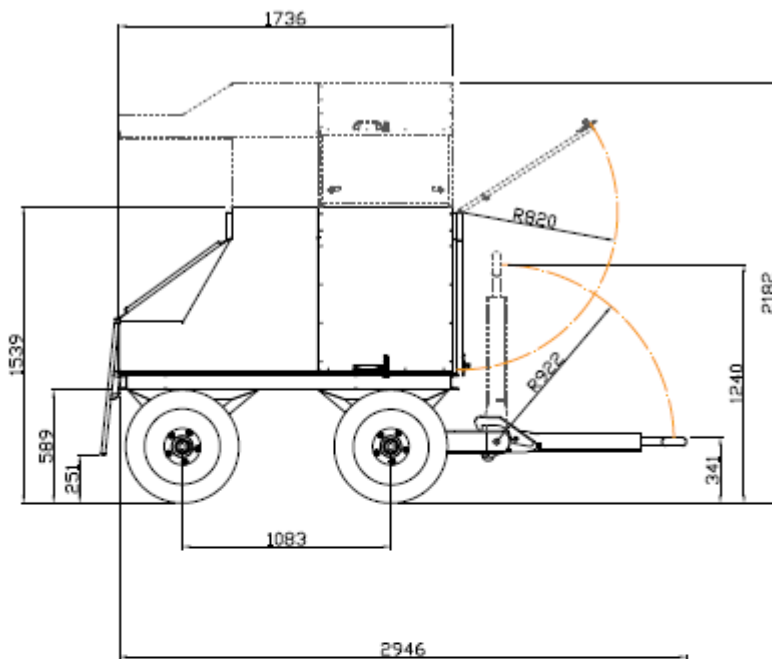
	Product Features (20-50 gpm)	
Model No	ENM-HTR-7000	ENM-HTR-9000
Product Type	Variable Flow Rate, Pressurized Hydraulic Test Stand	Variable Flow Rate, Pressurized Hydraulic Test Stand
Main Dimensions (L x W x H) (mm)	2880 x 1800 x 1539	2880 x 1728 x 1615
Hydraulic Fluid Compatibility	MIL-PRF-83282D / MIL-PRF-6083 or Equivalent	MIL-PRF-83282D / MIL-PRF-6083 or Equivalent
Flow Rate and Pressure Adjustment	Pressurized Continuous Fluid Supply with Variable Flow Rate	Pressurized Continuous Fluid Supply with Variable Flow Rate
Closed Circuit Run for Pressure and Flow Rate Presetting	Available	Available
Reservoir Volume	240 lt	300 lt
Flow Capacity	20 GPM @4000 psi	50 GPM @4000 psi
Number of Pressurized Outputs	Dual	Dual
Filtration	3 µ / Integrated Replaceable High Pressure Filter	3 µ / Integrated Replaceable High Pressure Filter
NAS 1638 Filtration Class	3	3
Power Supply	220/380/440 VAC and 50 Hz / 60 Hz options	220/380/440 VAC and 50 Hz / 60 Hz options
Pump Motor Power	30 kW @1500 rpm	75 kW @1500 rpm
Digital Flowmeter	Available (Metric / US Units Options)	Available (Metric / US Units Options)
Main Panel LED Illumination	Available	Available
Cable Length	15 mt	30 mt
Integrated Cable Drum	Not-Available	Available
Wheeltrain	Air Inflated Tires, Linked Axle Steering System with Foldable Suspension Tow Bar	Air Inflated Tires, Linked Axle Steering System with Foldable Suspension Tow Bar
Tire Type and Diameter	Semi-Pneumatic Rubber Tires / ø200 mm	Semi-Pneumatic Rubber Tires / ø200 mm
Hand Brake	Available	Available
Main Panel Protection Cover with Locking	Available (Steel, Hinged Hood Type)	Available (Steel, Hinged Hood Type)
Surface Finish	Marine Quality Electrostatic Paint	Marine Quality Electrostatic Paint
Fasteners	A2 Grade Stainless Steel	A2 Grade Stainless Steel
Certification	CE	CE



Mobile Hydraulic Power Units Test Stands



Main Dimensions* | ENM-HTR-3000 / 7000

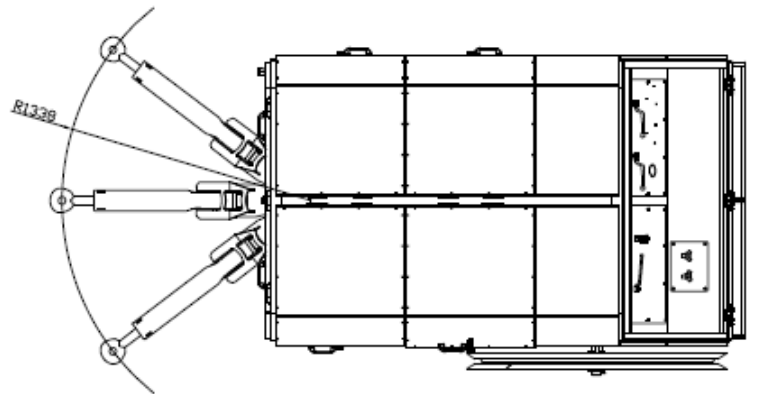
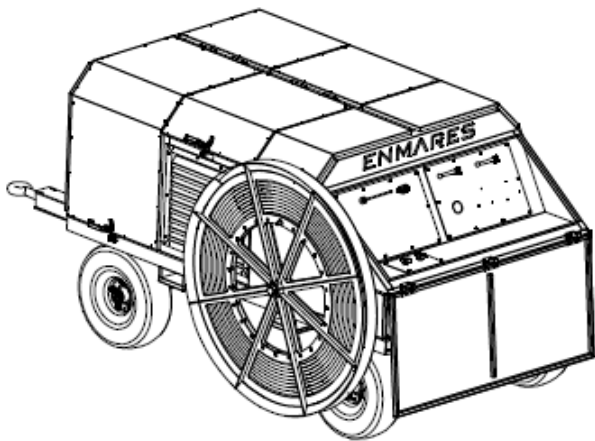
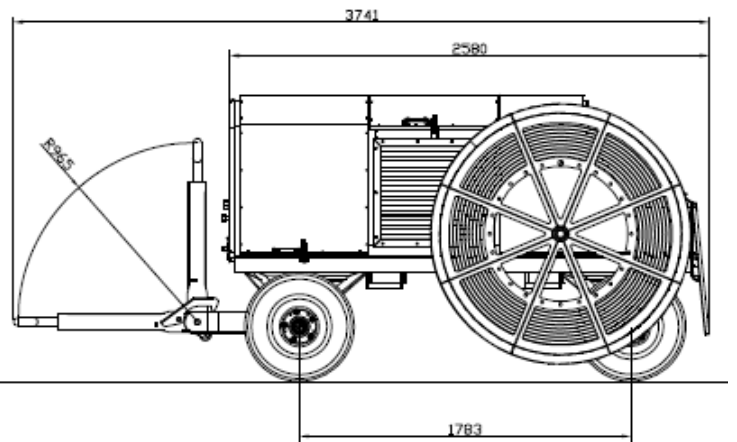
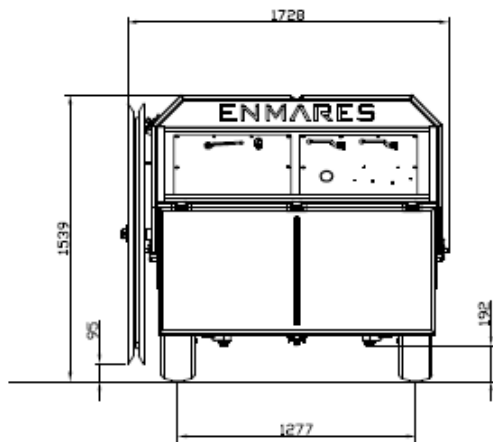


* ENMARES has right to alter dimensions without notice

Mobile Hydraulic Power Units Test Stands



Main Dimensions* | ENM-HTR-5000 / 9000



* ENMARES has right to alter dimensions without notice

Mobil Hidrolik Test Rigi



"As a NATO supplier engineering company, we design and manufacture a wide variety of aircraft maintenance, painting and assembly lines, special ground support equipment and mechanical systems for both civil and defense industries. Our complete scope of project implementation covers design, analysis, manufacturing, testing, documentation, shipment, commissioning and aftersales support. This becomes ENMARES' distinguishing power in many prestigious aviation and defense projects for years."

Rotary and Fixed Wing Aircraft Towing Vehicles

Helicopter Operation Equipment

Aircraft Assembly Line Solutions

Special Aircraft Docking Systems

Aircraft Painting Docking Systems

Aircraft Tire Inflation Cages

Aircraft Engine Components Clean Lines

On-the-vessel Helicopter Platforms

Special Electromechanic Weapon Systems

Composite Ballistic Armouring

Mobile Diesel Fire Extinguishing Pumps

ENMARES Aviation and Defense Company

NATO CAGE: TA642

Headquarters

F. Kerim Gökay Cd. 286/154 34734 Erenköy / Kadıköy / İstanbul / Turkey Phone: +90 216 410 7177 Fax: +90 216 410 1641

sales@enmares.com
www.enmares.com