

ENMARES

ENMARES Aviation Marine and Land Defense Incorporate

Mobile Hydraulic MRO FLOOR CRANES



Model Series: ENM-MFC

www.enmares.com

MRO Floor Cranes

| Model No | MFC-F | MFC-DR | MFC-R | MFC-R-Max |
|--|------------------------|------------------------|------------------------|------------------------|
| Main Column Feature | Fixed Column | Rotary Column | Rotary Column | Rotary Column |
| Hydraulic Main Column Rotation | - | ■ | ■ | ■ |
| Main Column Rotation Range in Azimuth Plane | - | 360° | 360° | 360° |
| Safety Sensors for Main Column Over-rotation | - | ■ | ■ | ■ |
| Safety Sensors for Main Column Load Securing | - | ■ | ■ | ■ |
| Safe Working Load* | 1.000 kg | 1.000 kg | 1.000 kg | 1.000 kg |
| Electric Supply | 220 VAC / 440 VAC (3P) | 220 VAC / 440 VAC (3P) | 220 VAC / 440 VAC (3P) | 220 VAC / 440 VAC (3P) |
| Max Power Consumption | 3 kW | 3 kW | 3 kW | 3 kW |
| Load-Carrying Beam Hydraulic Elevation | ■ | ■ | ■ | ■ |
| Load Handling Range in Elevation Plane** | 1,6 mt to 6,3 mt | 2,1 mt to 8,3 mt | 2,1 mt to 6,3 mt | 2,0 mt to 7,9 mt |
| Main Column Minimum Height (When Idle) | 4,4 mt | 3,8 mt | 4,4 mt | 3,8 mt |
| Angle Swept by Load-Carrying Beam in Elevation Plane | 73° | 73° | 73° | 73° |
| Telescopic Load-Carrying Inner Beam Extension | Hand Crank Geared | Hand Crank Geared | Hydraulic | Hydraulic |
| Telescopic Load-Carrying Inner Beam Extension Range | 700 mm | 1950 mm | 700 mm | 1950 mm |
| Mobility & Steering | - | - | Electric-Motor Driven | Electric-Motor Driven |
| Integrated Illumination Projector | - | ■ | ■ | ■ |
| Immobilizing Ground Contact Screws | ■ | ■ | ■ | ■ |
| Approximate Weight | 2.300 kg | 2.900 kg | 2.900 kg | 3.200 kg |
| Fasteners | A4 Grade | A4 Grade | A4 Grade | A4 Grade |
| Surface Finish | Electrostatic Paint | Electrostatic Paint | Electrostatic Paint | Electrostatic Paint |
| Colour | Upon Customer Request | Upon Customer Request | Upon Customer Request | Upon Customer Request |

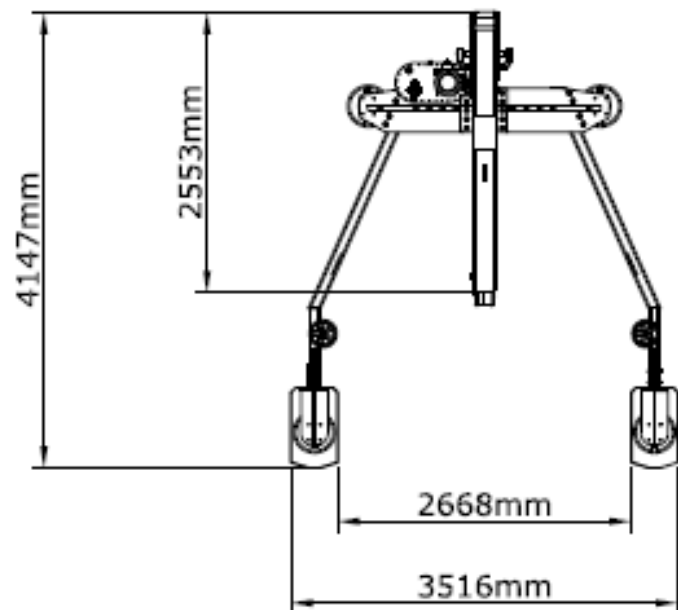
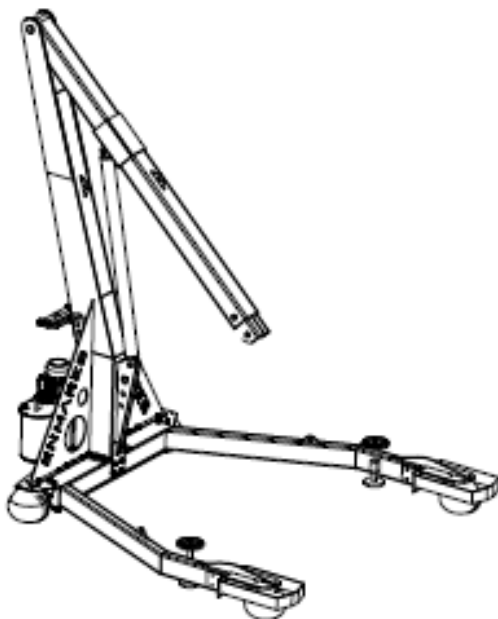
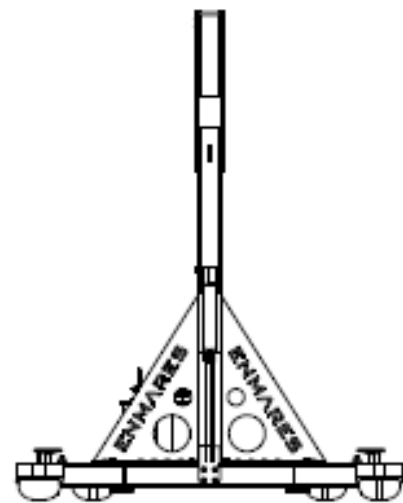
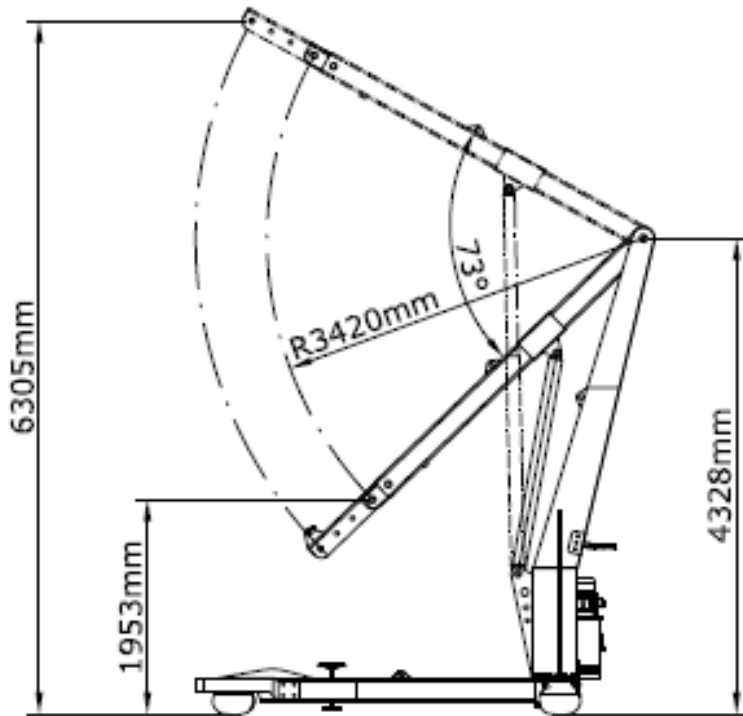
* 1.000 kg (in standard product), 500 to 2.500 kg upon request

■ Available [-] Not Available

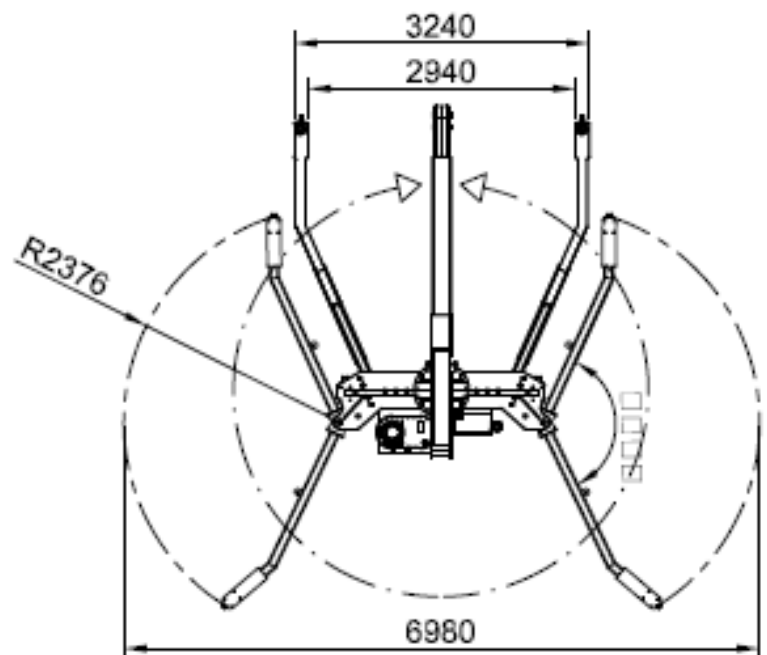
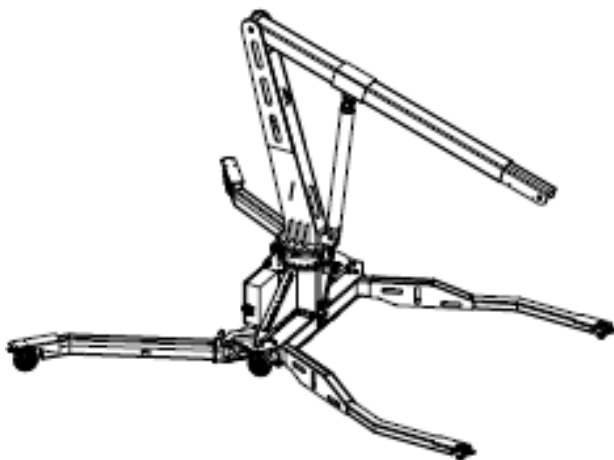
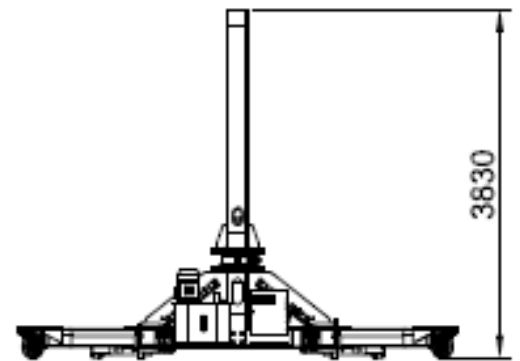
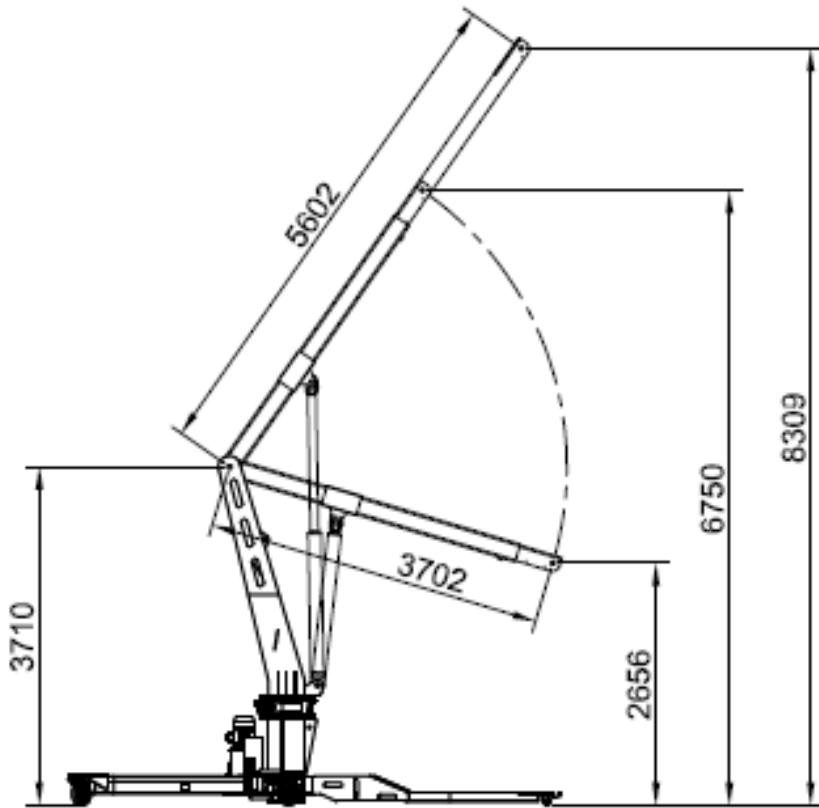
** Measure between ground level and extended telescopic beam pin hole



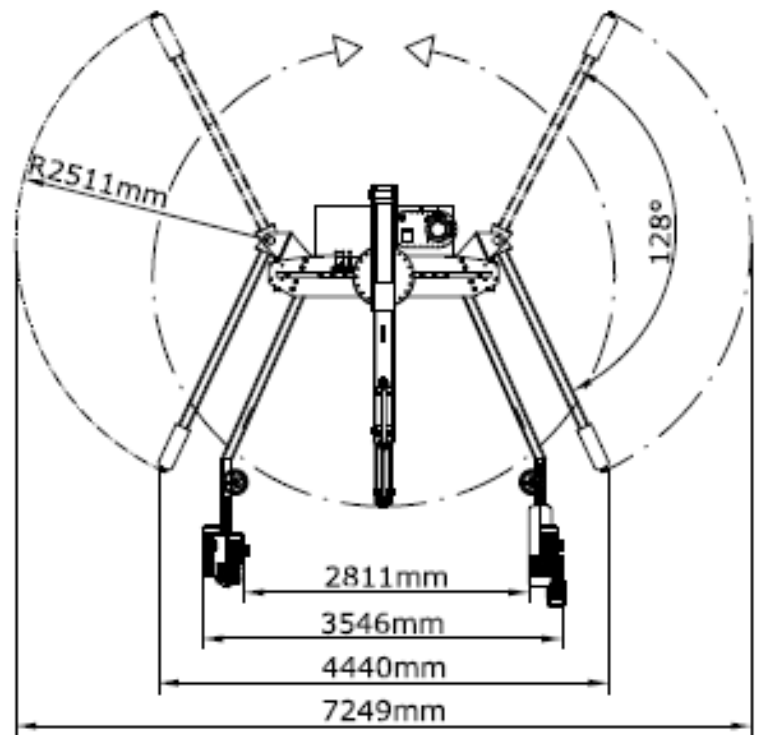
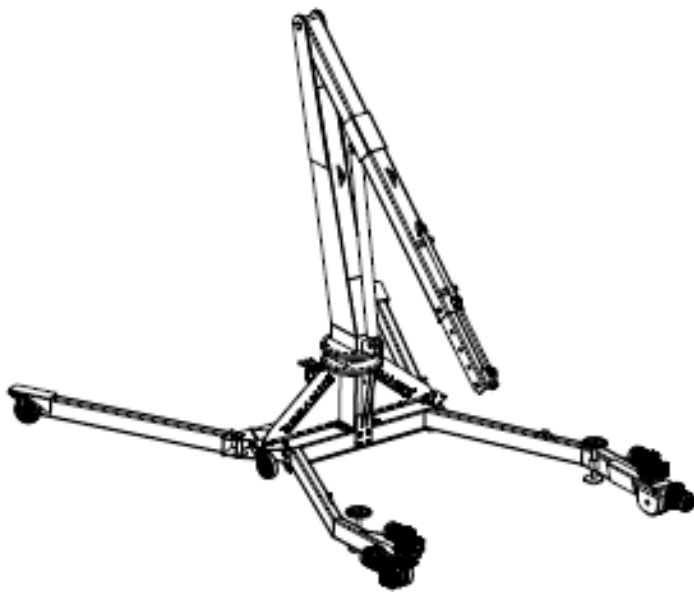
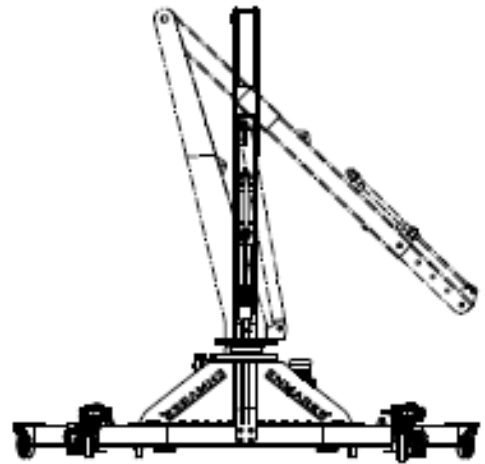
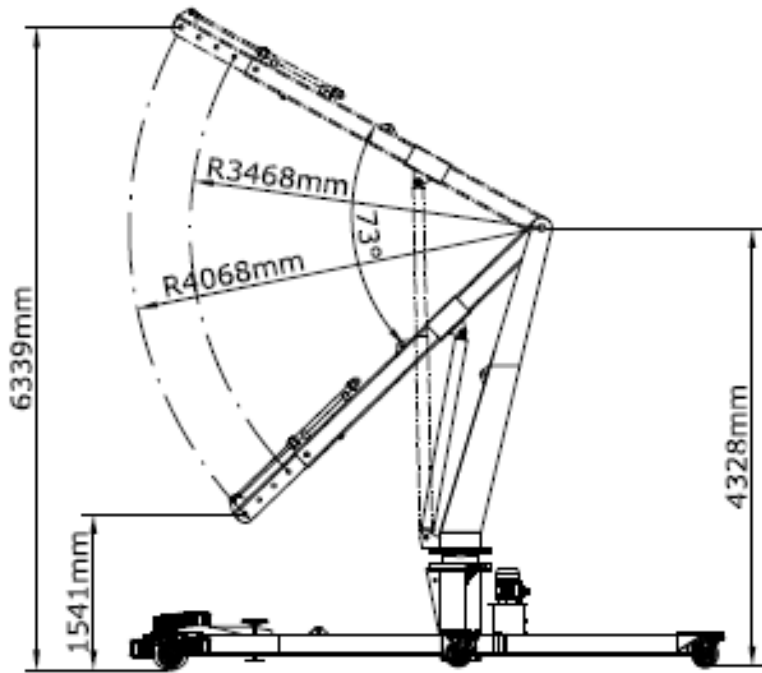
Main Dimensions | MFC-F



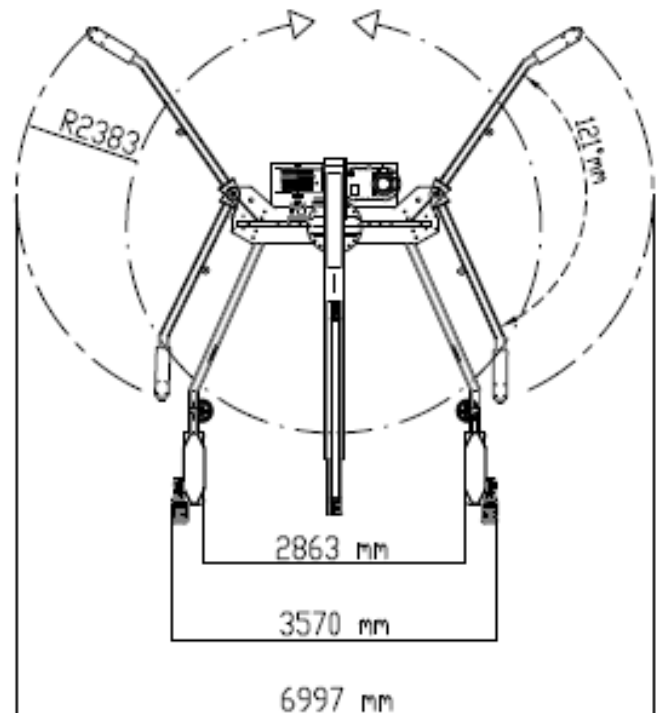
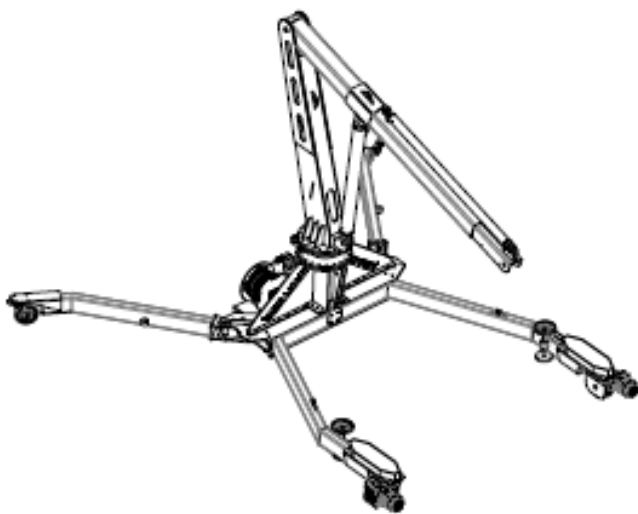
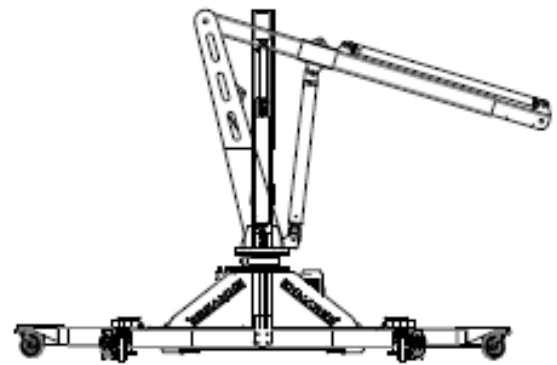
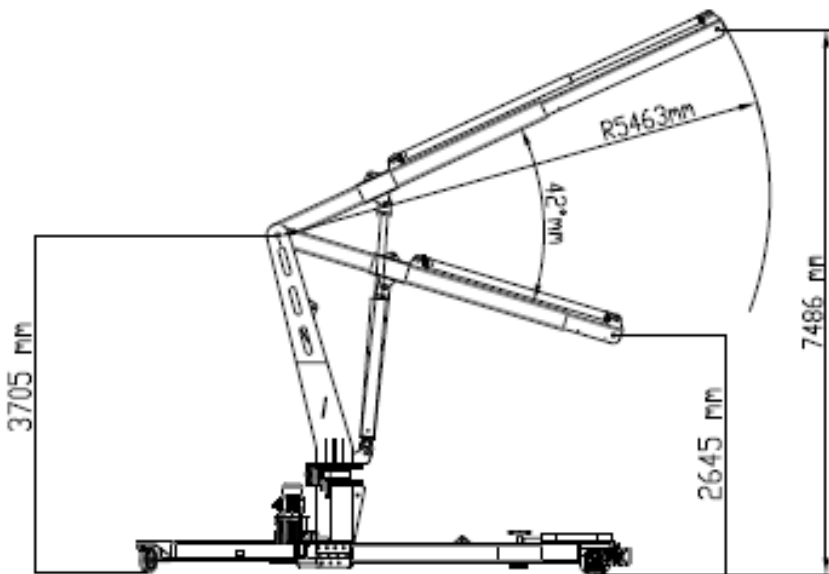
Main Dimensions | MFC-DR



Main Dimensions | MFC-R



Main Dimensions | MFC-R-Max





"As a NATO supplier engineering company, we design and manufacture a wide variety of aircraft maintenance, painting and assembly lines, special ground support equipment and mechanical systems for both civil and defense industries. Our complete scope of project implementation covers design, analysis, manufacturing, testing, documentation, shipment, commissioning and aftersales support. This becomes ENMARES' distinguishing power in many prestigious aviation and defense projects for years."

- Rotary and Fixed Wing Aircraft Towing Vehicles
- Helicopter Operation Equipment
- Aircraft Assembly Line Solutions
- Special Aircraft Docking Systems
- Aircraft Painting Docking Systems
- Aircraft Tire Inflation Cages
- Aircraft Engine Components Clean Lines
- On-the-vessel Helicopter Platforms
- Special Electromechanic Weapon Systems
- Composite Ballistic Armouring
- Mobile Diesel Fire Extinguishing Pumps

ENMARES Aviation and Defense Company
NATO CAGE: TA642

Headquarters

E Kerim Gökay Cd. 286/154 34734 Erenköy / Kadıköy / İstanbul / Turkey Phone: +90 216 410 7177 Fax: +90 216 410 1641

sales@enmares.com
www.enmares.com