

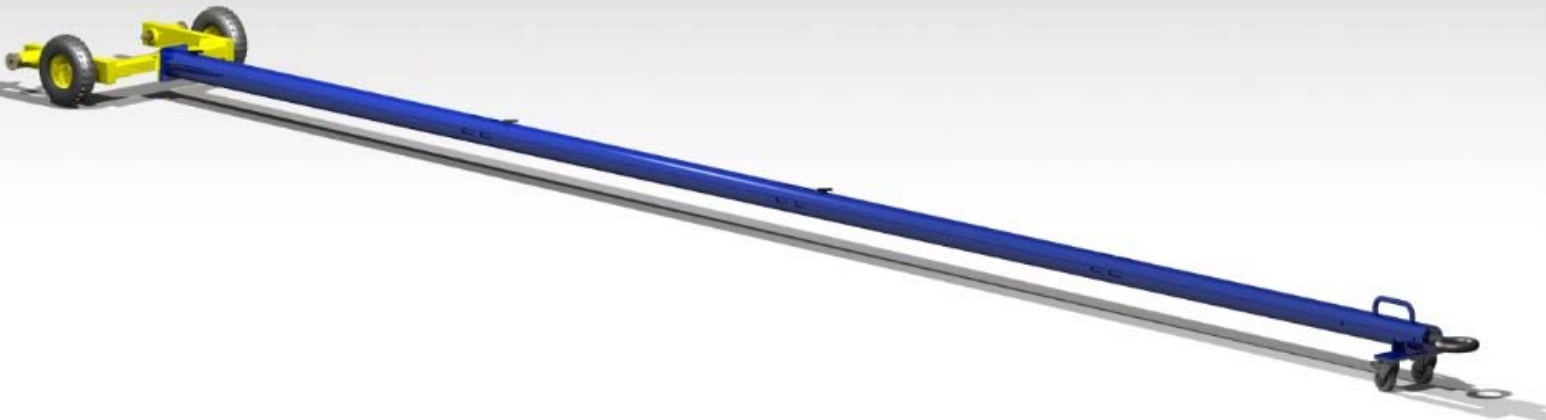
ENMARES
ENGINEERING MAINTENANCE REPAIR SOLUTIONS



ENMARES Aviation Marine and Land Defense Incorporate

Demountable Aluminum

AIRCRAFT TOW BARS



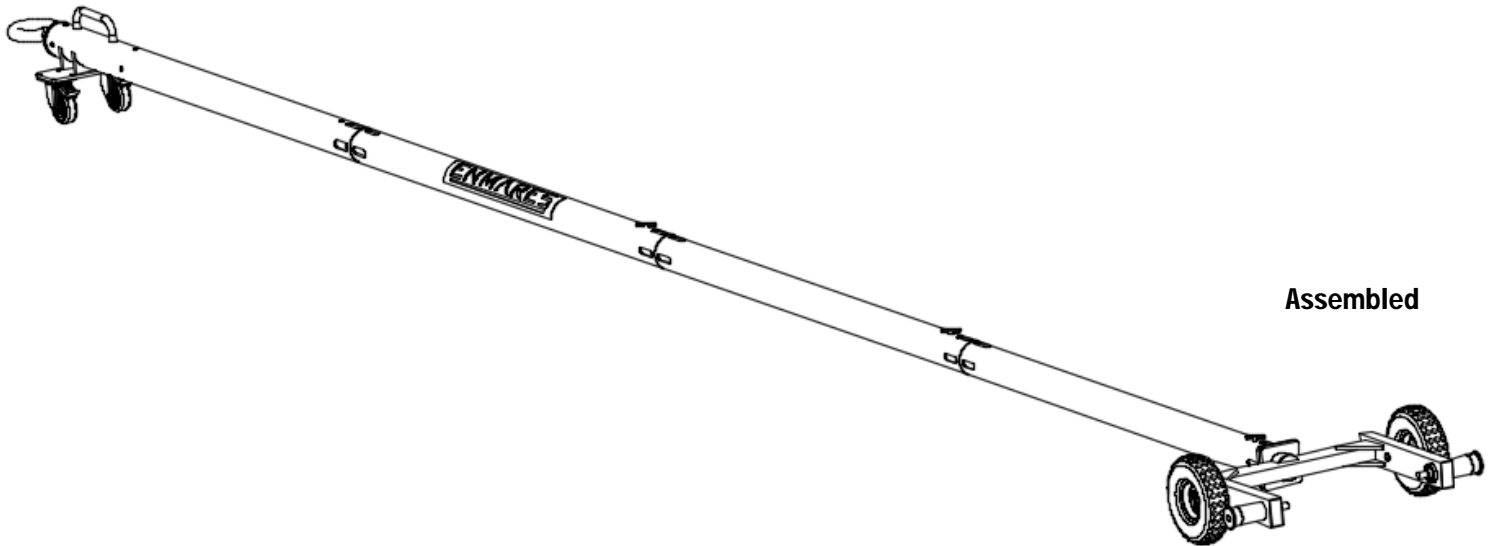
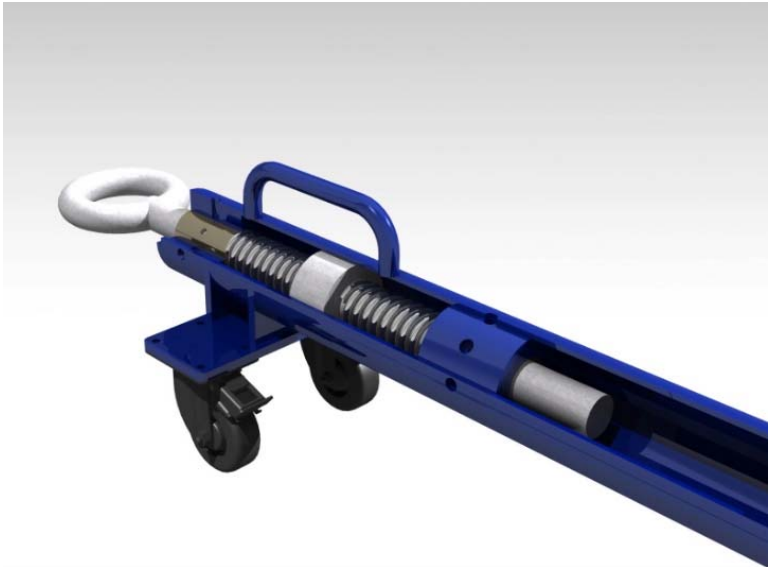
Model No: ENM-T-30-7.4

www.enmares.com

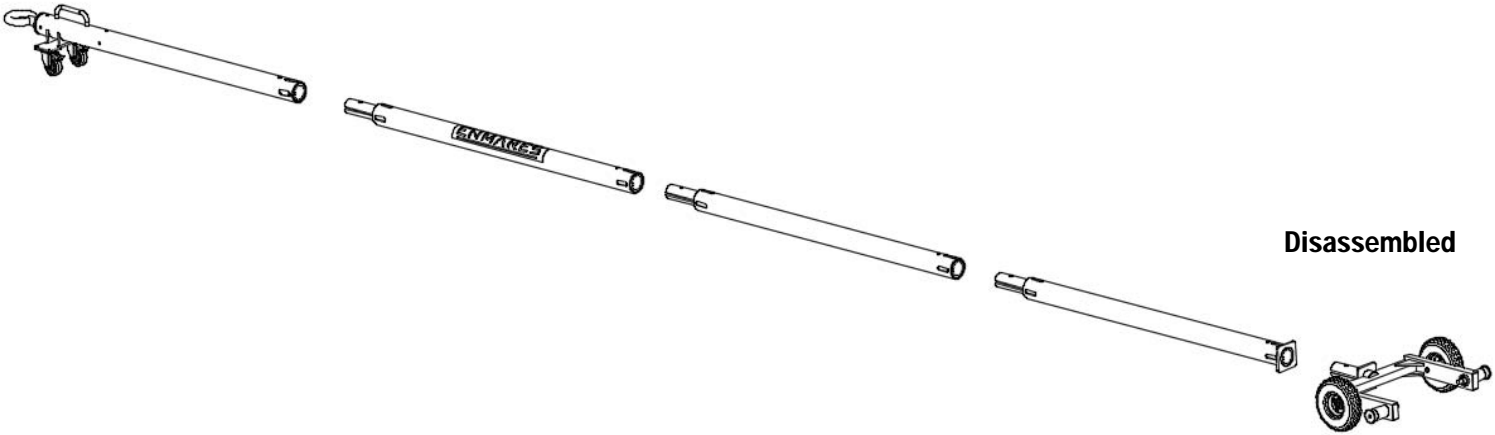
Demountable Aluminum Tow Bar



Main Features	
Type	Demountable (Adjustable Length) Aircraft Towing Bar
Main Structure Material	Aluminum
Housing Material in Friction Surfaces	Bronze
Fastener Grade	A4 Stainless Steel
Surface Finish	Marine Quality Epoxy Coating
Approximate Total Weight	70 kg
Average Single Bar Unit Weight	17,5 kg
Approximate Payload	30.000 kg
Maximum Effective Length	7.370 mm
System Compliance	Turkish Lloyd Rules, CE Certificate



Assembled

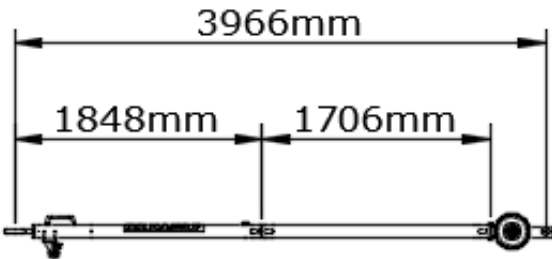
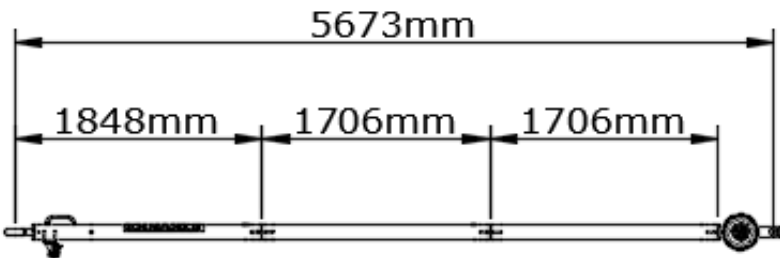
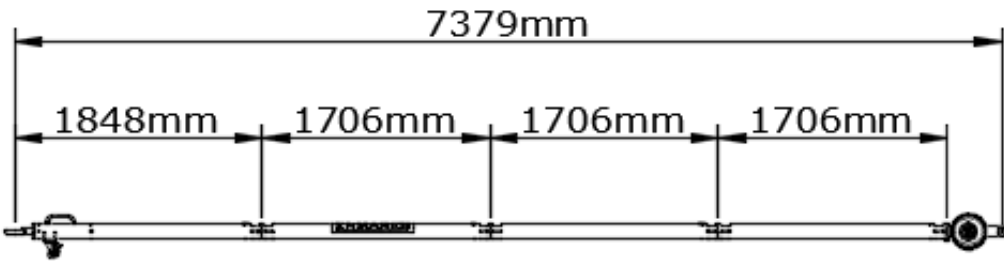


Disassembled

Demountable Aluminum Tow Bar



Main Dimensions*



* For the model# ENM-T-30-7.4



Demountable Aluminum Tow Bar



"As a NATO supplier engineering company, we design and manufacture a wide variety of aircraft maintenance, painting and assembly lines, special ground support equipment and mechanical systems for both civil and defense industries. Our complete scope of project implementation covers design, analysis, manufacturing, testing, documentation, shipment, commissioning and aftersales support. This becomes ENMARES' distinguishing power in many prestigious aviation and defense projects for years."

Rotary and Fixed Wing Aircraft Towing Vehicles
Helicopter Operation Equipment
Aircraft Assembly Line Solutions
Special Aircraft Docking Systems
Aircraft Painting Docking Systems
Aircraft Tire Inflation Cages
Aircraft Engine Components Clean Lines
On-the-vessel Helicopter Platforms
Special Electromechanic Weapon Systems
Composite Ballistic Armouring
Mobile Diesel Fire Extinguishing Pumps

ENMARES Aviation and Defense Company
NATO CAGE: TA642

Headquarters

F Kerim Gökay Cd. 286/154 34734 Erenköy / Kadıköy / İstanbul / Turkey Phone: +90 216 410 7177 Fax: +90 216 410 1641

sales@enmares.com
www.enmares.com