

ENMARES[®]

ENGINEERING MAINTENANCE REPAIR SOLUTIONS



NWC-4 // Helicopter Wheel Chocks

NWC-4

ENMARES
EQUIPMENT MADE SAFE PEOPLE

Adjustable Wheel Chocks

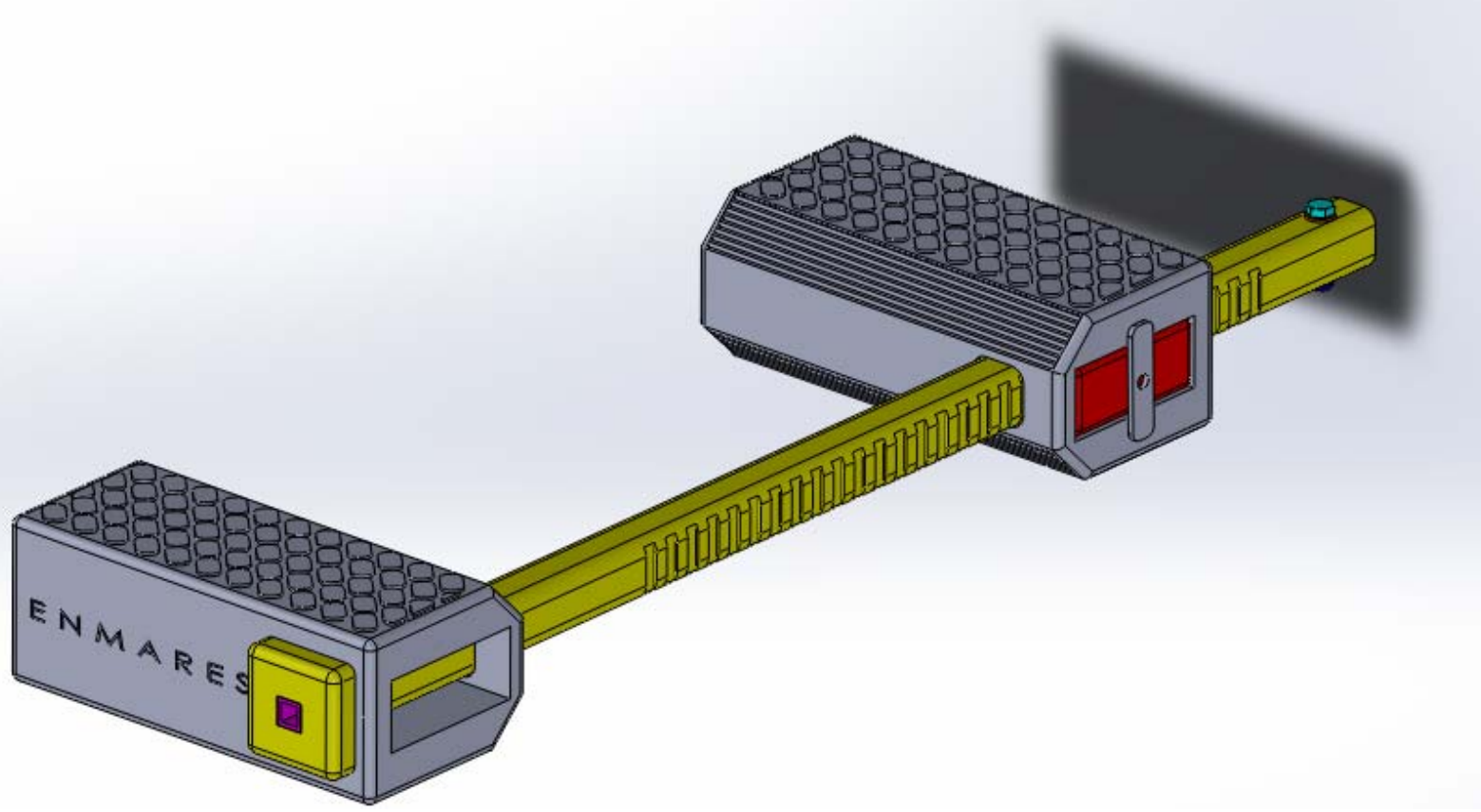


NWC-4

ENMARES

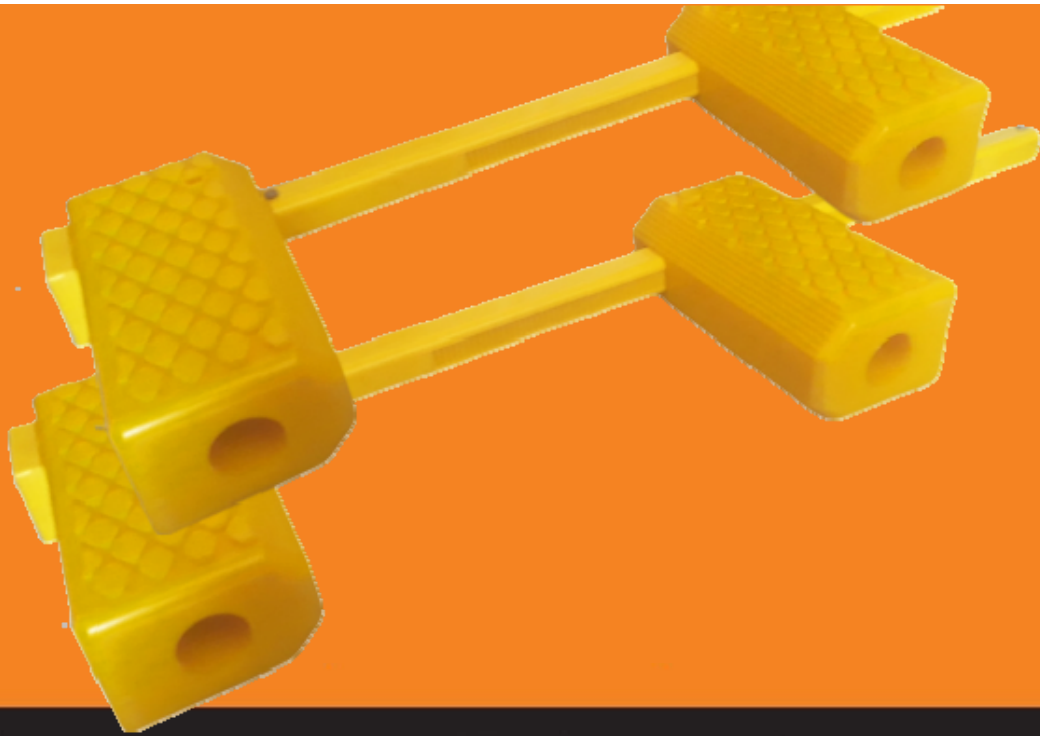
Adjustable Wheel Chocks

Main Dimensions*



NWC-4 Adjustable Wheel Chocks

ENMARES
ENGINEERING • MANUFACTURING • SUPPORT • SERVICES



"As a NATO supplier engineering company, we design and manufacture a wide variety of aircraft maintenance, painting and assembly lines, special ground support equipment and mechanical systems for both civil and defense industries. Our complete scope of project implementation covers design, analysis, manufacturing, testing, documentation, shipment, commissioning and aftersales support. This becomes ENMARES' distinguishing power in many prestigious aviation and defense projects for years."

Rotary and Fixed Wing Aircraft Towing Vehicles
Helicopter Operation Equipment
Aircraft Assembly Line Solutions
Special Aircraft Docking Systems
Aircraft Painting Docking Systems
Aircraft Tire Inflation Cages
Aircraft Engine Components Clean Lines
On-the-vessel Helicopter Platforms
Special Electromechanic Weapon Systems
Composite Ballistic Armouring
Mobile Diesel Fire Extinguishing Pumps

ENMARES Aviation and Defense Company
NATO CAGE: TA642

Headquarters

F Kerim Gökay Cd. 286/154 34734 Erenköy / Kadıköy / İstanbul / Turkey Phone: +90 216 410 7177 Fax: +90 216 410 1641

sales@enmares.com
www.enmares.com