

ENMARES
ENGINEERING MAINTENANCE REPAIR SOLUTIONS

ENMARES Aviation Marine and Land Defense Incorporate

Portable Firefighting Pumps

EP Series



www.enmares.com

Portable Firefighting Pumps

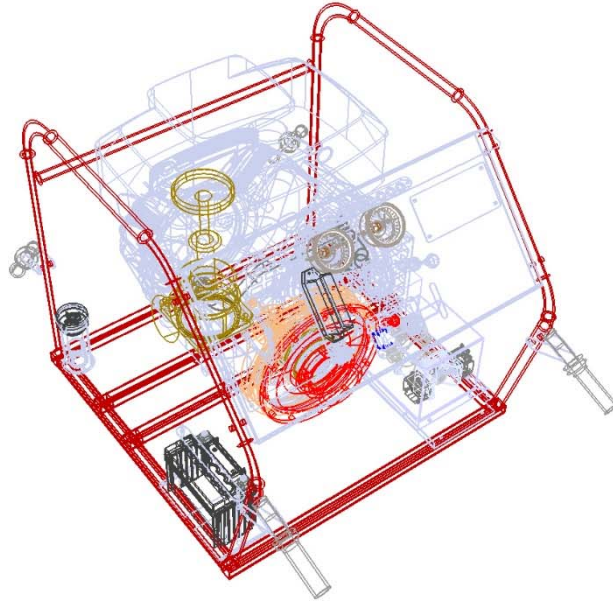
Main Features	
System Drive Type	Diesel Engine Propelled System
Engine Type	4-Stroke Air Cooling Industrial Diesel Engine
Overall System Power	24 hp
Pump Characteristics	100 gpm@7,8 bar / 175 gpm@4,5 bar (22,7 ton/hr@7,8 bar / 39,7 ton/hr@4,5 bar)
Approximate Dimensions (WxDxL)	63 cm x 70 cm x 63 cm
Approximate Weight	72 kg
Main Chassis Structure Material	Steel
Pump Type	Aluminum Alloy Single Stage Centrifugal Pump with Brass Drive-Propeller
Fasteners	A4 Stainless Steel
Surface Finish	Marine Quality Epoxy Coating
Priming System	Auto-Exhaust Priming / Battery Powered Diaphragm Pump (Optional)
Exhaust Priming Height	6 mt
System Compliance	Turkish Navy Rules



* ENMARES has the right to alter given technical specifications without prior notice.



Portable Firefighting Pumps



"As a NATO supplier engineering company, we design and manufacture a wide variety of aircraft maintenance, painting and assembly lines, special ground support equipment and mechanical systems for both civil and defense industries. Our complete scope of project implementation covers design, analysis, manufacturing, testing, documentation, shipment, commissioning and aftersales support. This becomes ENMARES' distinguishing power in many prestigious aviation and defense projects for years."

Rotary and Fixed Wing Aircraft Towing Vehicles
Helicopter Operation Equipment
Aircraft Assembly Line Solutions
Special Aircraft Docking Systems
Aircraft Painting Docking Systems
Aircraft Tire Inflation Cages
Aircraft Engine Components Clean Lines
On-the-vessel Helicopter Platforms
Special Electromechanic Weapon Systems
Composite Ballistic Armouring
Mobile Diesel Fire Extinguishing Pumps

ENMARES Aviation and Defense Company
NATO CAGE: TA642

Headquarters

F. Kerim Gökay Cd. 286/154 34734 Erenköy / Kadıköy / İstanbul / Turkey Phone: +90 216 410 7177 Fax: +90 216 410 1641

sales@enmares.com
www.enmares.com