

ENMARES Aviation Marine and Land Defense Incorporate

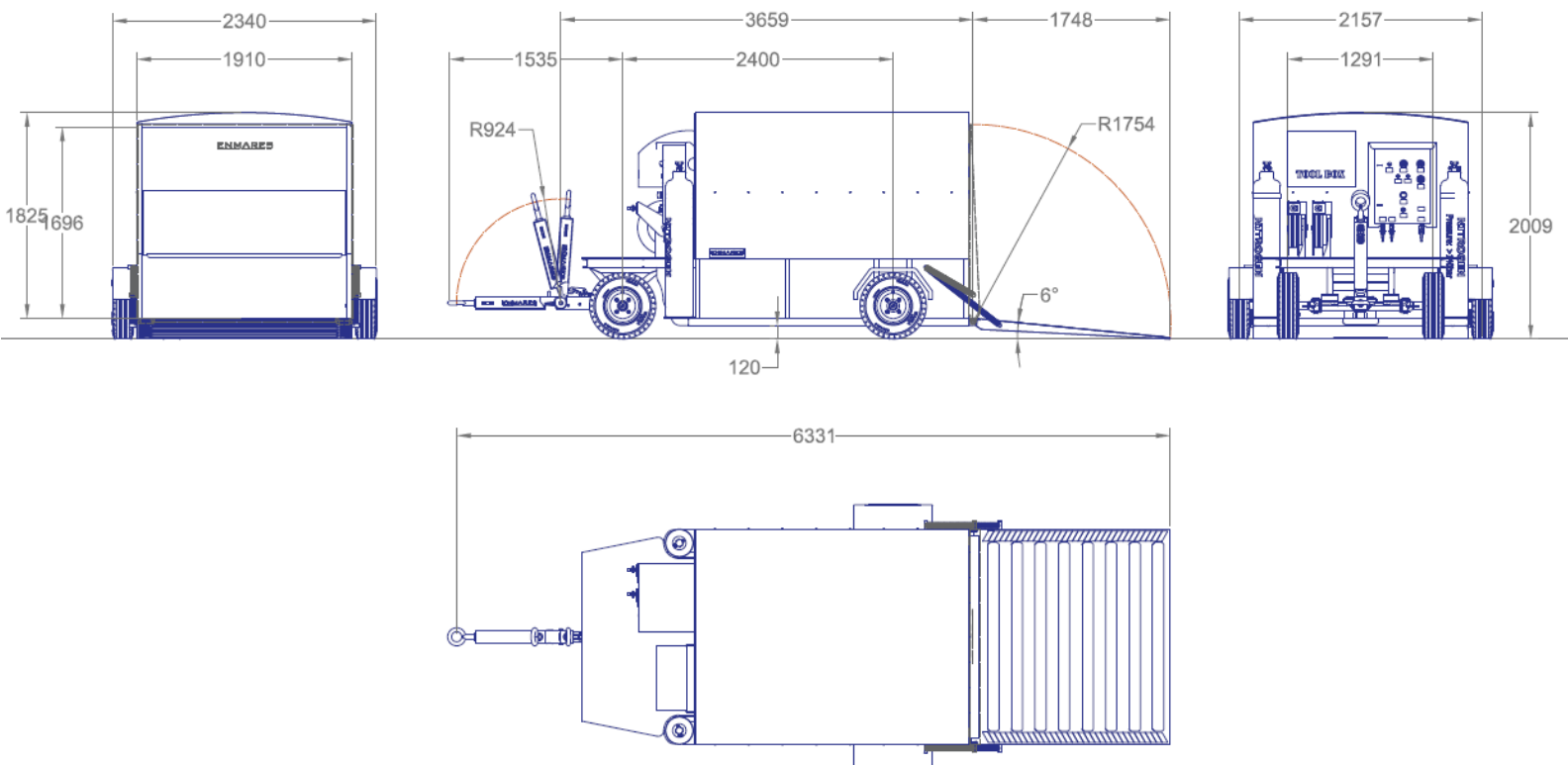
# APRON HANDLING TRAILERS for aircraft tires



Model No: ENM-TT-80-N

# Apron Handling Trailers

ENMARES  
EQUIPMENT MADE IN ITALY



# Apron Handling Trailers

ENMARES  
ENGINEERING • MANUFACTURING • TRADING • SUPPORT

## Main Features

<b>Product Model</b>	<b>ENM-TT-80-N</b>
Product Definition	Towable 4-Wheeled Tire Removal Handling Trailer
Main Chassis Structure	Galvanized Carbon Steel
Maximum Serviceable Loading	1.500 kg
Approximate Weight	2.300 kg
Steering System	Towing-Driven Steering with Linked Axle Transmission
Towbar Spring-Suspension	Available
Maximum Vehicle Speed	70 km/h
Tire Group	Pneumatic Tires with Steel Rim
Pneumatic Command and Control Box	Analogue Valve Controlled, with Inflation and Deflation Lines
Number of Serviceable Nitrogen Cylinders	2
High Pressure Input Configuration	Independent Dual Input Through 2 off Nitrogen Bottles
Maximum Input Pressure	3.000 psi
Output Configuration	Independent Dual Output Through 2 off Hose Reels
Default Output Pressure Range Preset	0 to 250 psi
Automatic Pressure Shut-off Safety Feature	Available
Integrated Inside Illumination	2 off LED Tube Lights
Electric Supply	1 off 12 V Automotive Electric Battery
Fasteners	A2 Grade
Surface Finish	Marine Quality Electrostatic Paint
Double Acting Brake	Available
Dimensions of Foldable Working Desk (DxW)	600 x 1700 (mm)
Outer Cover Shield	Transparent / Non-Transparent
Integrated Tool Box	Available
Flooring Material	4/5 Aluminum Treadplate
Inside Sidewall Covering	Plywood

*Accommodating 2 off Wheels, 1 off Axle Jack, 1 off Brake Pack, 1 off Large-Size Tire Removal Dolly*

*Long-life Tires with Drag-linked Steering System, Axles Meeting Ackerman's Geometry*

*Dual Pneumatic Control Box with Auto Pressure Shot-off Ensuring Safe Tire Inflation and Deflation*

*Tow Bar and Low-Slope Rear Hatch with Springback Suspension Mechanisms*

*Inside LED Illumination and Wall-mounted Foldable Working Desk*

*Robust Design Made By Aerospace Engineers Having Comprehensive Industry Experience*

# Apron Handling Trailers

ENMARES  
FOR AIRCRAFT MAINTENANCE GROUND SUPPORT EQUIPMENT



"As a NATO supplier engineering company, we design and manufacture a wide variety of aircraft maintenance, painting and assembly lines, special ground support equipment and mechanical systems for both civil and defense industries. Our complete scope of project implementation covers design, analysis, manufacturing, testing, documentation, shipment, commissioning and aftersales support. This becomes ENMARES' distinguishing power in many prestigious aviation and defense projects for years."

Rotary and Fixed Wing Aircraft Towing Vehicles  
Helicopter Operation Equipment  
Aircraft Assembly Line Solutions  
Special Aircraft Docking Systems  
Aircraft Painting Docking Systems  
Aircraft Tire Inflation Cages  
Aircraft Engine Components Clean Lines  
On-the-vessel Helicopter Platforms  
Special Electromechanic Weapon Systems  
Composite Ballistic Armouring  
Mobile Diesel Fire Extinguishing Pumps

**ENMARES Aviation and Defense Company**  
NATO CAGE: TA642

**Headquarters**

F Kerim Gökay Cd. 286/154 34734 Erenköy / Kadıköy / İstanbul / Turkey Phone: +90 216 410 7177 Fax: +90 216 410 1641

sales@enmares.com  
www.enmares.com