

ENMARES
ENGINEERING MAINTENANCE REPAIR SOLUTIONS

ENMARES Aviation Marine and Land Defense Incorporate

Automatic Mine Laying System

NUSRAT

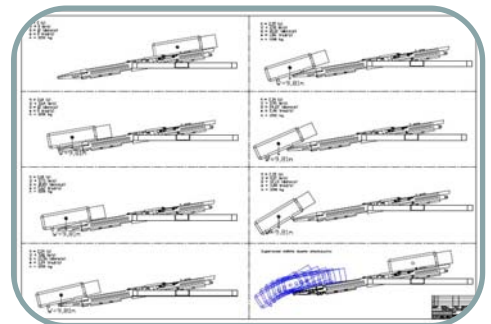


www.enmares.com

Automatic Mine Laying System

Main Features

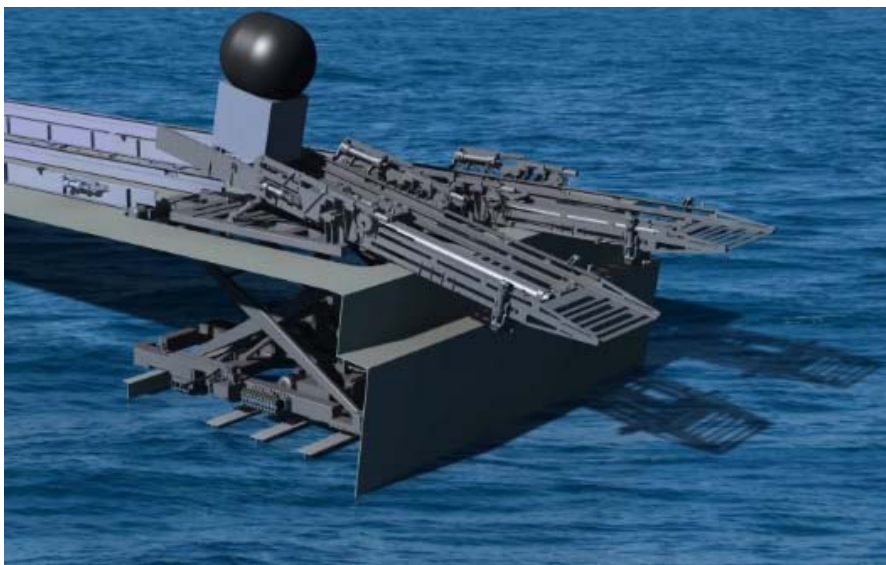
System Drive Type	Electrically Energized Hydromechanical System
Input Voltage	220 / 380 VAC
Overall System Power	8,20 kW
Nominal Laying Ramp Angle	12°
Main Structure Material	Steel Structure
Housing Material in Friction Surfaces	Brass
Fastener Grade	A4 Stainless Steel
Surface Finish	Marine Quality Epoxy Coating
Approximate Total Weight	~ 4.200 kg
Environmental Protection Level	IP 56
Level of Redundancy	Hydraulically Redundant (independent hydraulic drive for PS and SBS ramps)
System Dependency	Fully Standalone
System Compliance	Turkish Loyd Rules, Machinery Chapter: 4 2016, Naval Ships Chapters 105, 106, 107 2016
Delivery Lead-time	24 weeks
Commissioning Labour	28 man.day (4 personnel average)



System Capability Facts

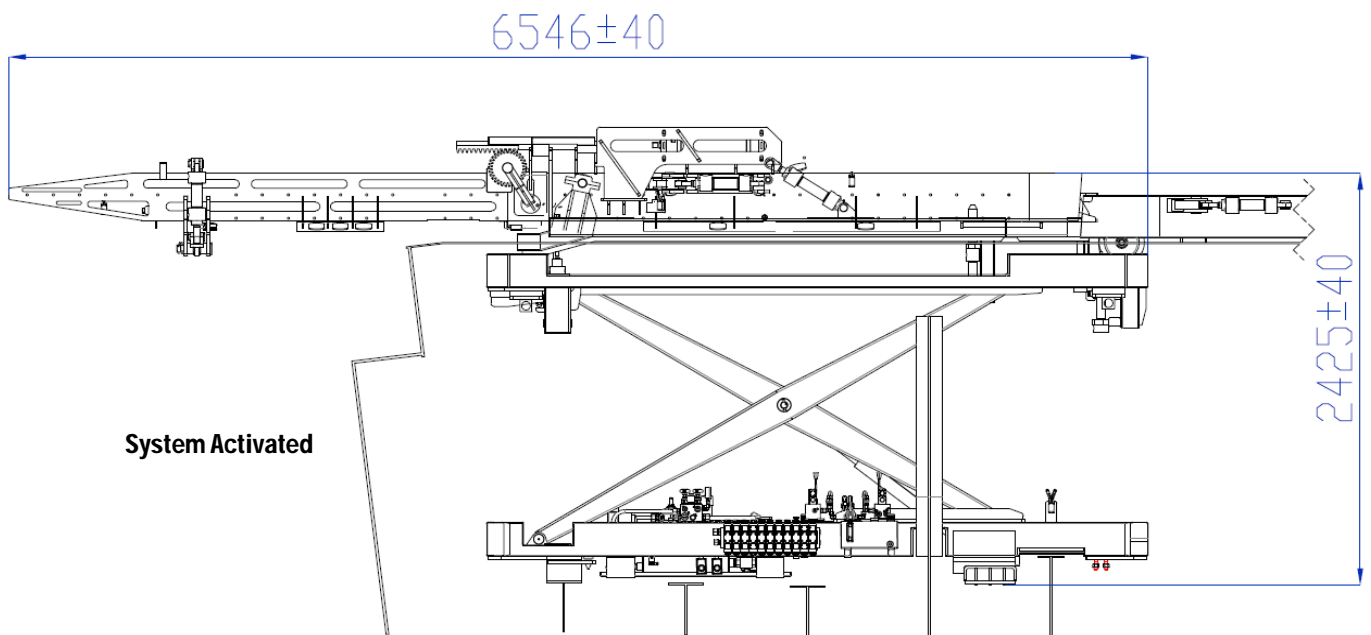
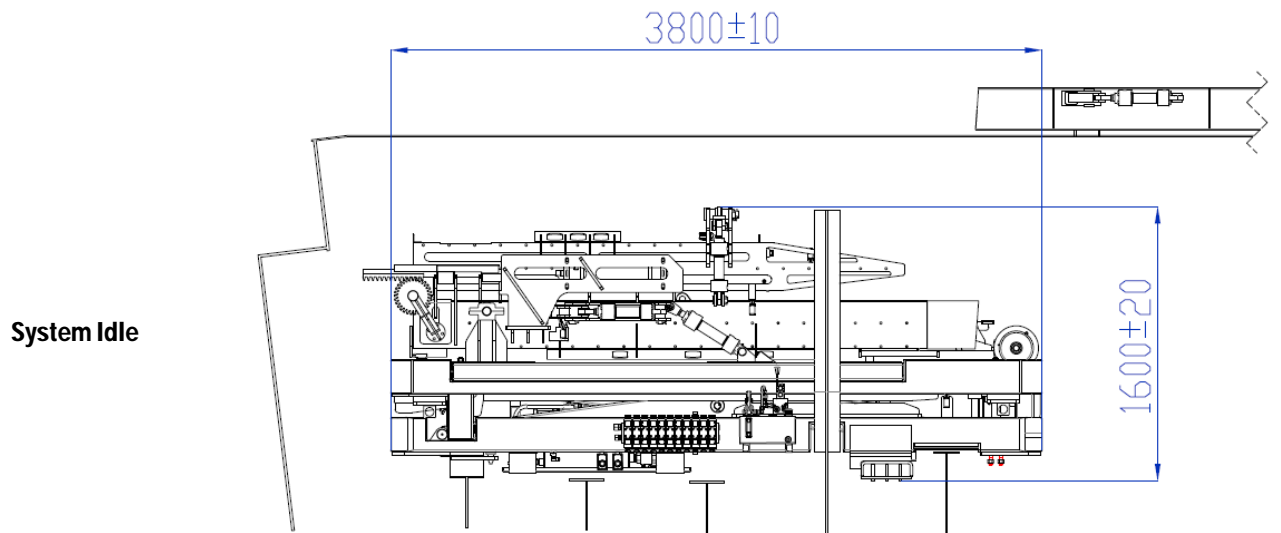
Operational Loading Capacity*	1.500 kg / mine
Maximum Mine Laying Frequency	3 release / min
Maximum Number of Mine in Line	24 mine x 1.500 kg / lane
Operational Modes	Automatic, Semi-Automatic, Manual
Control System	PLC-based Touchscreen Command Console
Level of Environmental Interaction	Fully-sensored Realtime Monitoring for Operational Reliability
Data Recording	Release Log Recording
Compatibility	Upgradeable for Ship War System Integration
Design Life	50 years

* Maximum mine weight that can be laid in a single cycle



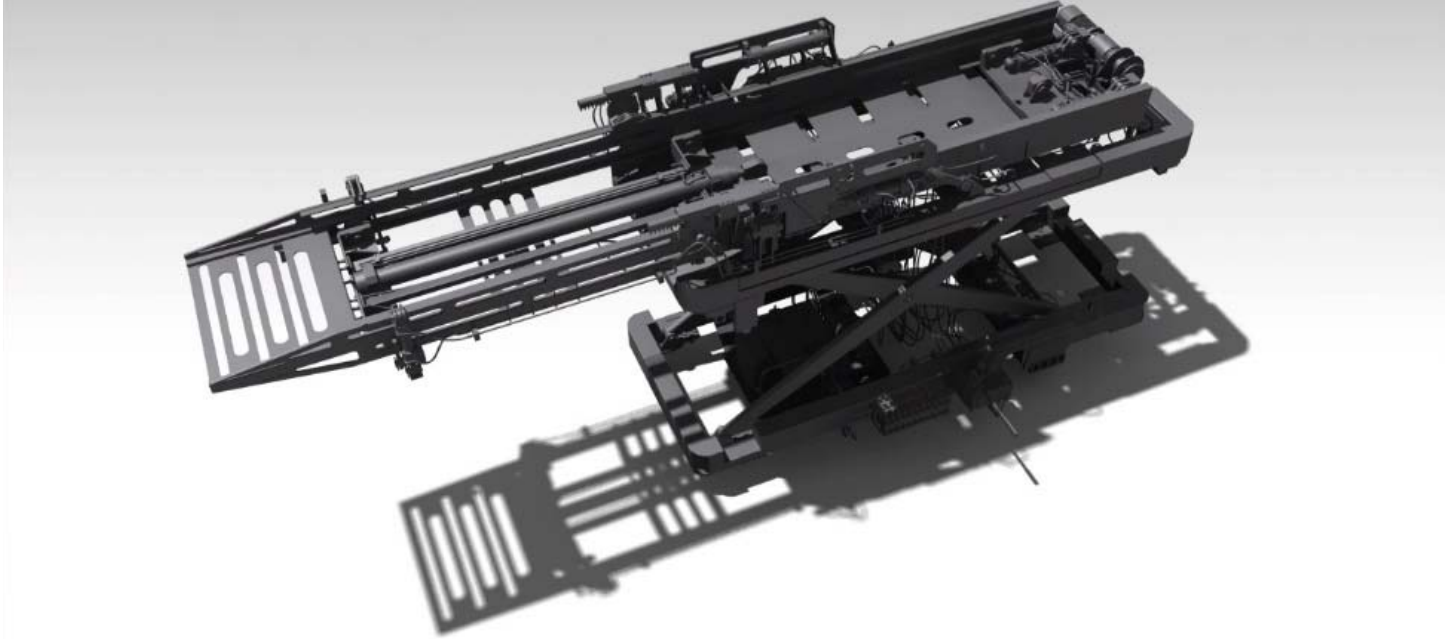
Automatic Mine Laying System

Main Dimensions*



* Ship deck level has been shown representatively for reference purposes.

Automatic Mine Laying System



"As a NATO supplier engineering company, we design and manufacture a wide variety of aircraft maintenance, painting and assembly lines, special ground support equipment and mechanical systems for both civil and defense industries. Our complete scope of project implementation covers design, analysis, manufacturing, testing, documentation, shipment, commissioning and aftersales support. This becomes ENMARES' distinguishing power in many prestigious aviation and defense projects for years."

Rotary and Fixed Wing Aircraft Towing Vehicles

Helicopter Operation Equipment

Aircraft Assembly Line Solutions

Special Aircraft Docking Systems

Aircraft Painting Docking Systems

Aircraft Tire Inflation Cages

Aircraft Engine Components Clean Lines

On-the-vessel Helicopter Platforms

Special Electromechanic Weapon Systems

Composite Ballistic Armouring

Mobile Diesel Fire Extinguishing Pumps

ENMARES Aviation and Defense Company

NATO CAGE: TA642

Headquarters

F. Kerim Gökay Cd. 286/154 34734 Erenköy / Kadıköy / İstanbul / Turkey Phone: +90 216 410 7177 Fax: +90 216 410 1641

sales@enmares.com
www.enmares.com