

ENMARES
ENGINEERING MAINTENANCE REPAIR SOLUTIONS

ENMARES Aviation Marine and Land Defense Incorporate

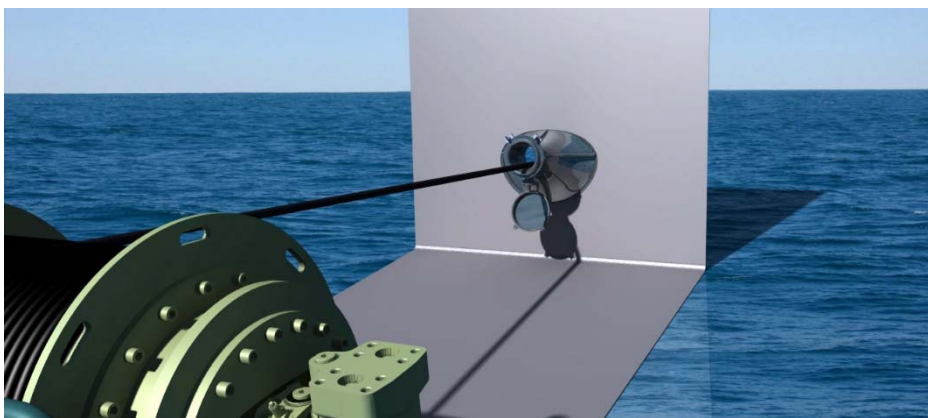
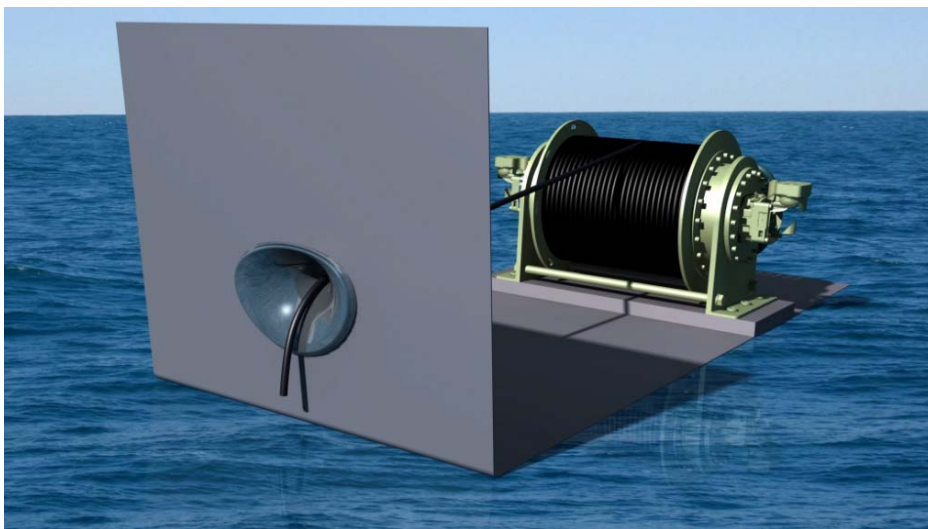
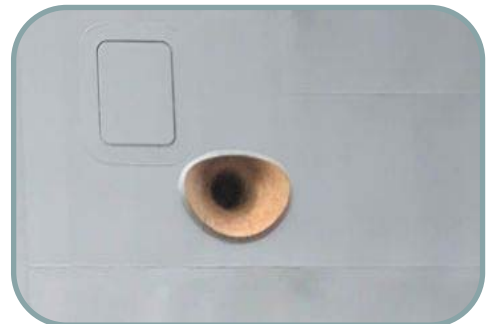
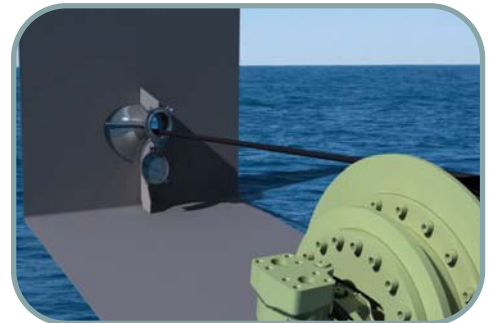
Torpedo Countermeasures CABLE FAIRLEADS



www.enmares.com

Torpedo Countermeasures Cable Fairleads

Model No	Main Features	
	216-R510	283-R700
Material	AISI 316	AISI 316
Manufacturing Method	Molding	Molding
Lower Contact Surface Radius	510 mm	700 mm
Minimum Inner Diameter	190 mm	200 mm
Inner Contact Surface Roughness	1,6 μ	1,6 μ
Maximum Dimensions (w x l x h)	999 mm x 820 mm x 734 mm	1249 mm x 1032 mm x 1231 mm
Total Weight	~ 290 kg	~ 475 kg
Operational Loading Capacity	30 ton	30 ton
Compliance	Turkish Loyd Rules, Machinery	Turkish Loyd Rules, Machinery
Approximate Delivery Lead-time	8 weeks	8 weeks

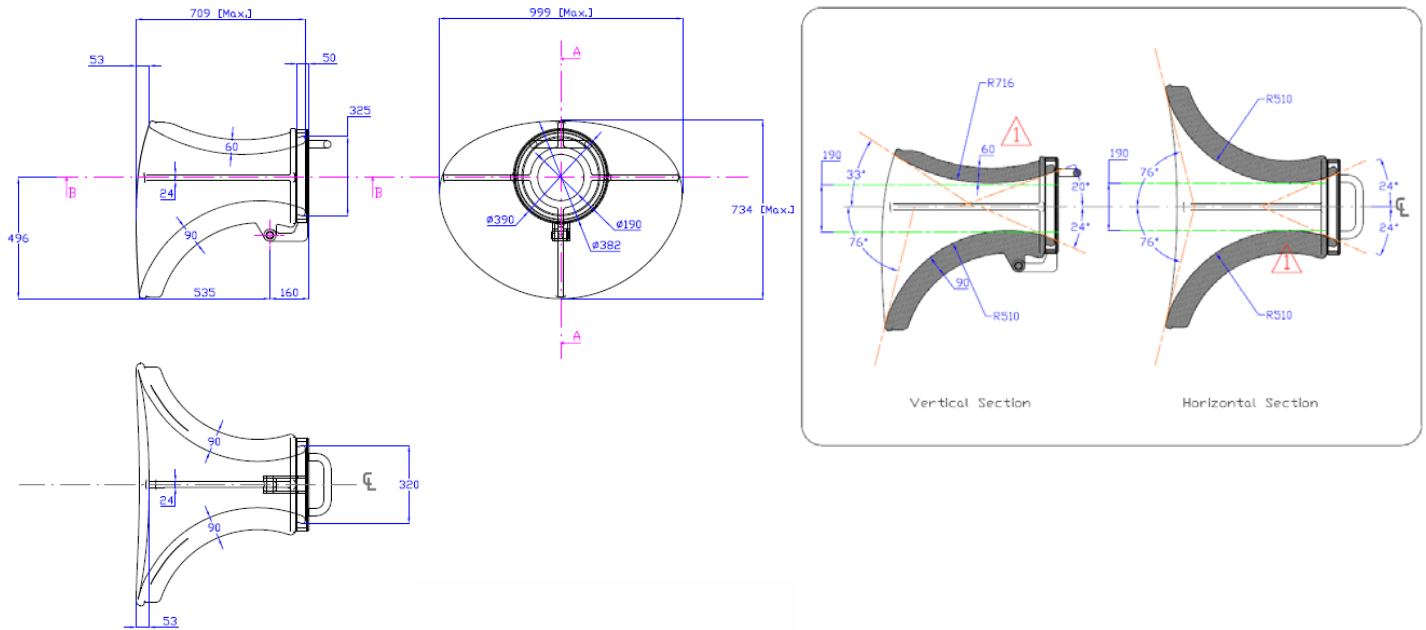


Torpedo Countermeasures Cable Fairleads

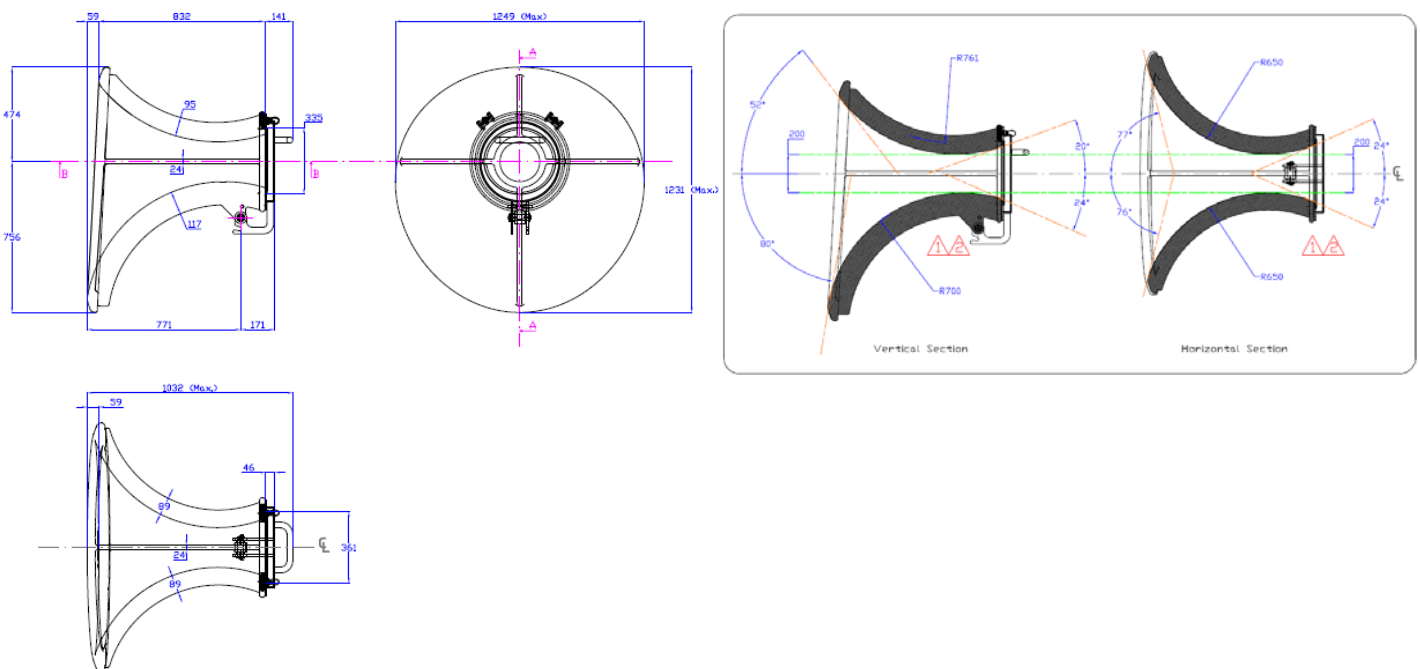
Main Dimensions*

* Any customized surface that meets the geometric requirements of a specific section can be generated upon customer request.

Model No: 216-R510



Model No: 283-R700



Torpedo Countermeasures Cable Fairleads



"As a NATO supplier engineering company, we design and manufacture a wide variety of aircraft maintenance, painting and assembly lines, special ground support equipment and mechanical systems for both civil and defense industries. Our complete scope of project implementation covers design, analysis, manufacturing, testing, documentation, shipment, commissioning and aftersales support. This becomes ENMARES' distinguishing power in many prestigious aviation and defense projects for years."

Rotary and Fixed Wing Aircraft Towing Vehicles
Helicopter Operation Equipment
Aircraft Assembly Line Solutions
Special Aircraft Docking Systems
Aircraft Painting Docking Systems
Aircraft Tire Inflation Cages
Aircraft Engine Components Clean Lines
On-the-vessel Helicopter Platforms
Special Electromechanic Weapon Systems
Composite Ballistic Armouring
Mobile Diesel Fire Extinguishing Pumps

ENMARES Aviation and Defense Company
NATO CAGE: TA642

Headquarters

F. Kerim Gökay Cd. 286/154 34734 Erenköy / Kadıköy / İstanbul / Turkey Phone: +90 216 410 7177 Fax: +90 216 410 1641

Manufacturing Facility

S.S. Marmara Geri Dönüşümcüler Sanayi Bölgesi Şekerpinar Mah. Ayçiçek Sk. No: 5 41420 Çayirova / Kocaeli / Turkey

France Contact Office

2 rue Miramon 81370 Saint-Sulpice / France Phone: +33 (0) 9.80.88.71.59 Fax: +33 (0) 9.82.63.62.92

sales@enmares.com
www.enmares.com